



# Mk52

7.62mm Bushmaster®  
Chain Gun®

Northrop Grumman's Small and Medium caliber cannons boast unrivaled reliability and effectiveness. When paired with our exceptional training services, certified accessories, and OEM warranties, Northrop Grumman delivers best-in-class value and a guarantee of optimal performance. No matter what your mission critical objectives are; combat, peacekeeping, or training; we offer the necessary services to maintain your weapons systems at a fully mission capable rating and the ability to consistently sustain and optimize your fleet.

## Guns Segment Market

The Gun Systems Market Segment exists to meet the ever changing demands of the warfighter through innovation in technology, program execution, lifecycle cost, and product delivery. The guns team is committed to becoming the undeniable global leader in small and medium caliber gun systems support, an agile competitor and respected worldwide as a preeminently responsive partner.

## Facts At A Glance

- Combat Proven System: 1,500 units in service
- High Reliability, Low Life Cycle Cost, Predictable Performance
- Compact Design
- Versatile and Simple Integration
- Manned Weapon Stations Applications
- Remote Weapon Stations Applications

## Highly Reliable

The 7.62mm Chain Gun®, originally developed for the coaxial use and the smallest member of the CHAIN GUN® family, is a rugged, highly-reliable, combat effective weapon readily adaptable to a variety of armor machine gun roles. By design, it provides the optimal solution to combat the normal feed problems associated with most present-day gas operated small caliber machine guns.

## Chain Gun Advantages

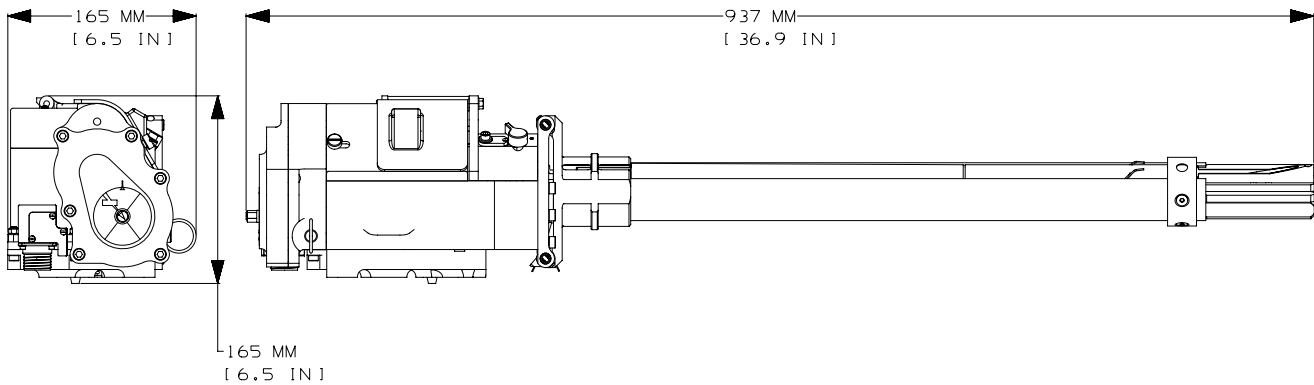
Like the 25mm M242 automatic cannon, the 7.62mm Chain Gun ejects fired cases, including the retained residual propellant and gases, forward (outboard) and capitalizes on long bolt-dwell time to minimize gas buildup in all cupola or turreted installations. Toxic gas emission within the vehicle during firing has been proven to be less than five percent of that found with contemporary, gas-operated coaxial weapons.

## User-Friendly Design

The weapon allows the user to remain in the vehicle and perform a barrel change in less than 10 seconds without downloading ammunition. Barrel jacket configuration can be varied to suit the needs of the specific installation and all jacket designs provide for quick-change barrel feature. Crew level maintenance can be performed without tools.

## Combat Superiority

The Chain Gun offers exceptional reliability and combat availability several orders of magnitude better than any comparable weapon of this caliber. The Chain Gun fires 550 rounds per minute of NATO standard 7.62mm ammunition.



## Characteristics

- Ammunition
- Links
- Weight
- Length (with Flash Hider) (Variations available)
- Width
- Height
- Rate of Fire
- Time to Rate
- Operating Voltage
- Operating Current
- Reliability Predicted
- Clearing Method
- Misfire

## Imperial

- 7.62 x 51mm NATO Qualified
- US M13 or NATO Equivalent
- 35.3 lb
- 37 in
- 6.5 in
- 6.5 in
- 550 +/-50 rpm
- 0.15 sec.
- 18-33 VDC
- 15 amp nominal, 200 amp max
- 10,000 MRBF
- Open Bolt
- Cycle Through

## Metric

- 16 kg
- 940mm
- 165mm
- 165mm